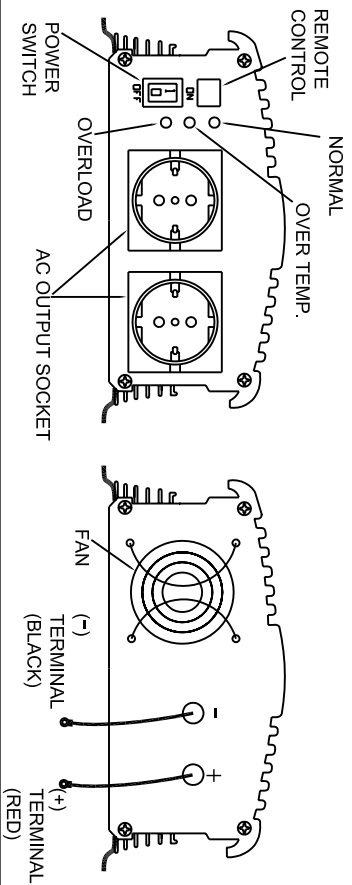
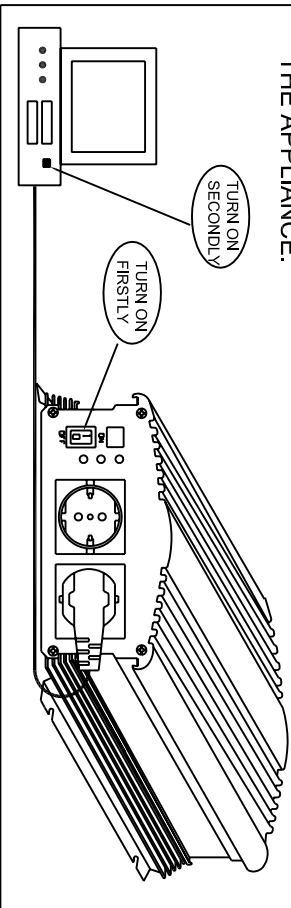


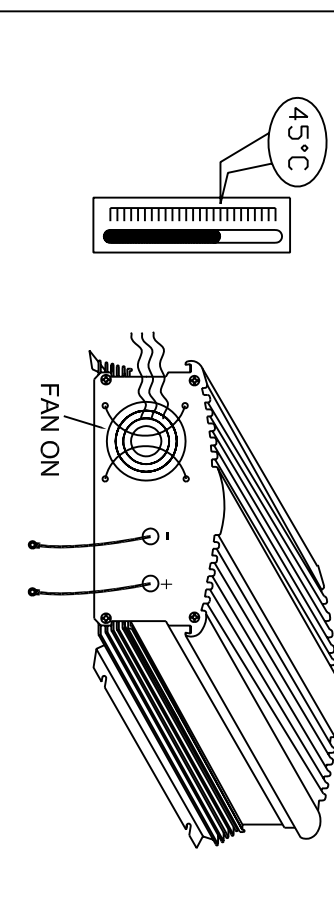
INSTEAD OF THE DC INPUT SOCKET A FIXED CONNECTING CABLE HAS BEEN USED. (ACCORDING TO EN55014)



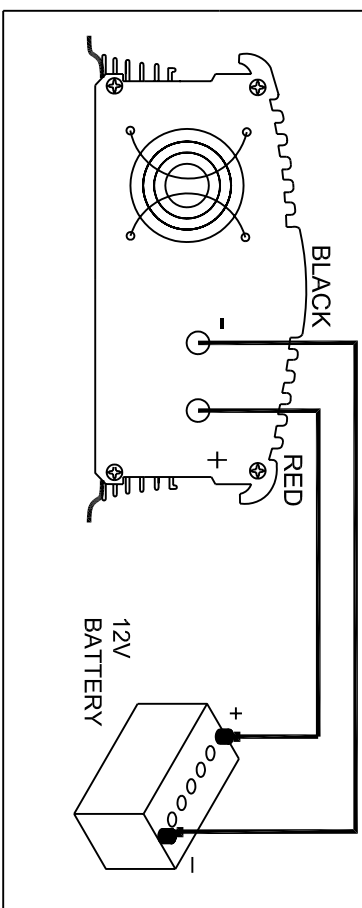
WHEN CONNECTED TO ANY APPLIANCE, BE SURE TO TURN ON INVERTER FIRST, AND THEN, TURN ON THE POWER SWITCH OF THE APPLIANCE.



WHEN TEMPERATURE OF INVERTER REACH 45 DEG C THE FAN WILL AUTO TURN ON IN ORDER TO COOL THE TEMPERATURE OF INVERTER.



CAUTION : DO NOT REVERSE INPUT. USE RED BATTERY CORD TO CONNECT (+) OF A 12V DC BATTERY TO (+) TERMINAL, AND THEN, USE BLACK BATTERY CORD TO CONNECT (-) BATTERY TO (-) TERMINAL.



IF THE TOTAL WATTS OF ELECTRICAL APPLIANCES EXCEEDS THE OUTPUT CAPACITY OF INVERTER OR AFTER OPERATING FOR A PERIOD OF TIME. IF THE TEMPERATURE OF THE INVERTER REACHES 60°C, THE INVERTER SHALL BE SHUTDOWN BY THE PROTECTION CIRCUIT.

