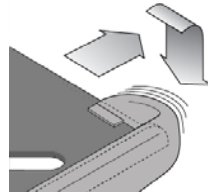


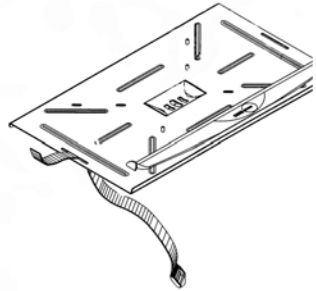
Step 6

Place platform trim piece (8) over front lip of platform.

Hold trim piece in place with your fingers while using thumbs to spread locking tabs out and down, until they lock in place underneath the platform.



Step 7



Thread open end of security strap (19) up through a slot on the outer edge of platform, across the platform, and then down through the other slot.

Place TV squarely onto platform.

Pull two ends of security strap over TV, thread strap ends through strap buckle (as shown), and secure tightly.

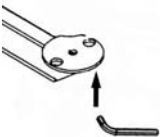


Step 8

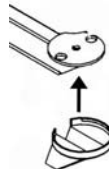
Adjust platform for desired amount of tilt:

To increase tilt angle, hold top of TV and carefully push front edge of platform backwards.

To decrease tilt angle, hold top of TV and carefully pull front edge of platform forwards.



With tilt angle set, turn front edge of platform at right angles to support arm. Insert small hex wrench through holes in bottom of platform support as shown, and tighten platform tilt screws securely.



Step 9

Press nose piece (4) into place at end of support arm, as shown.

Thank you for purchasing an OmniMount product.

Specifications are subject to change without prior notice.

Every effort has been made to provide accurate and error-free assembly and installation. OmniMount Systems disclaims liability for any difficulties arising from the interpretation of information contained in these instructions. If OmniMount products are used for purposes other than their original intent, OmniMount, its distributors and retailers shall not be held responsible or liable for injuries or property damage, direct, indirect, or consequential, which may arise from the inability to use this product safely, properly, and in the manner for which it has been designed and manufactured.

OmniMount Systems, Inc.

8201 South 48th Street • Phoenix, AZ 85044-5355

1-800-MOUNT-IT • www.omnimount.com



Home Entertainment

Assembly Instructions

TVM-21 Television Wall Mount

TVM-27 Television Wall Mount



- ◇ TVM21 designed for: 19" - 21" CRT Televisions
- ◇ TVM21 Maximum Weight Capacity: 80 lbs. (36.3 Kg)
- ◇ TVM27 designed for: 25" - 27" CRT Televisions
- ◇ TVM21 Maximum Weight Capacity: 99 lbs. (44.9 Kg)

- TV platform tilts and swivels
- Wall arm pivots
- Black security strap included
- Accept optional Component Mounts

IMPORTANT: Consult a qualified installer if you have any questions regarding the proper installation of this wall mount system.

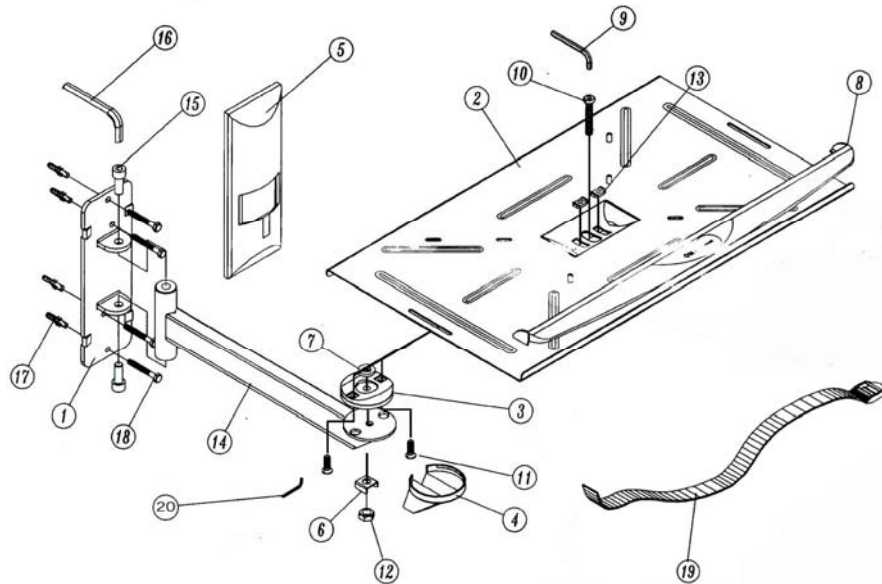
Questions? 1-800-MOUNT IT

Models:

TVM-21

TVM-27

Item	Description	Quantity
1	Wall Bracket	1
2	Platform	1
3	Platform Tilt Platter	1
4	Nose Piece	1
5	Wall Bracket Cover	1
6	Square Washer	1
7	Flat Washer	1
8	Platform Trim Piece	1
9	Medium Hex Wrench	1
10	Platform Main Bolt	1
11	Platform Tilt Screws	2
12	Platform Lock Nut	1
13	Platform Slide Nuts	2
14	Support arm	1
15	Support arm Pivot Bolts	2
16	Large Hex Wrench	1
17	Wall Anchors	4
18	Wall Bracket Bolts	4
19	Security Strap	1
20	Small Hex Wrench	1



Step 1

Use electronic stud finder to locate center of stud.

Note: When mounting to masonry, go directly to Step 2

Step 2

Use wall bracket (1) as template to mark mounting hole locations.

Step 3

Wooden Stud Mounting:

Using 1/8" drill bit, drill mounting holes to a depth of 2".

Using a 10mm wrench, bolt the wall bracket to the wall with the supplied lag bolts (18).

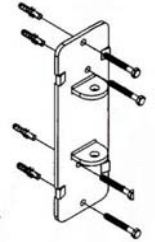
Note: To make installation easier, dab a bit of liquid soap onto the threads before driving the bolt into the stud.

Masonry Mounting:

Use a 3/8" masonry drill bit, and drill mounting holes to a depth of 2".

Insert wall anchors (17) into mounting holes, and tap flush with hammer.

Using a 10mm wrench, bolt the wall bracket to the wall with the supplied lag bolts (18).



Step 4

Slide wall bracket cover (5) over support arm, with flat side facing wall. Insert platform tilt screws (11) up through two countersunk holes in bottom of platform tilt platter (3).

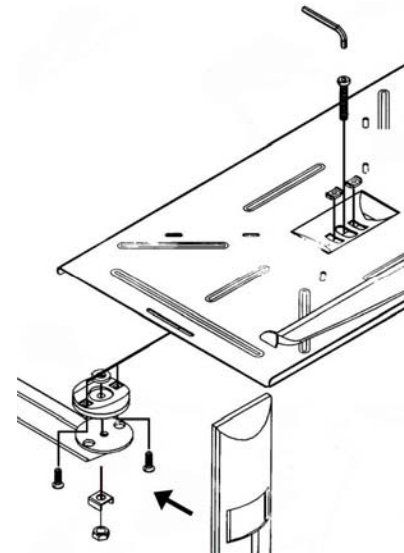
Thread square platform slide nuts (13) onto platform tilt screws. Loosely secure nuts using small hex wrench.

Place flat washer (7) in depression in center of platform swivel bracket.

Insert platform main bolt (10) through center of washer.

Place platform assembly on top of platform tilt platter, with main bolt passing through center hole.

Install square washer (6) onto platform main bolt, and then thread platform lock nut (12) onto platform main bolt. Tighten with medium hex wrench (9). Do not over-tighten or platform will not swivel.



Step 5

Insert support arm into wall bracket. Insert support arm pivot bolts (15) and secure with large hex wrench (16). Do not over-tighten bolts, or arm will not swing freely.

Snap wall bracket cover into place.

