

Product Information Sheet



Blade1

Mounted under a TV or as a stand-alone piece, Blade1 is a low profile wall furniture unit that provides hassle-free cable and component management. Modular and customizable, OmniMount wall furniture offers a fresh approach to managing cables and components.

Series



Blade1



Blade2



With a low 1.2" (30mm) profile, Blade1 mounts directly under ultrathin TVs while maintaining a seamless, refined appearance.

BENEFITS

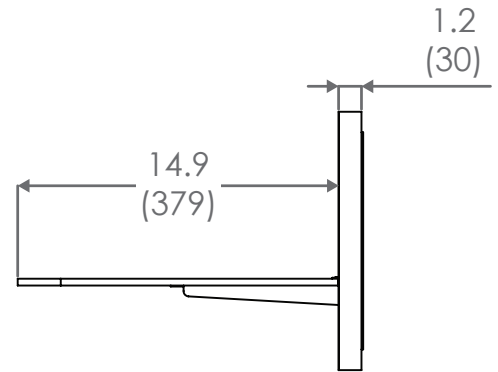
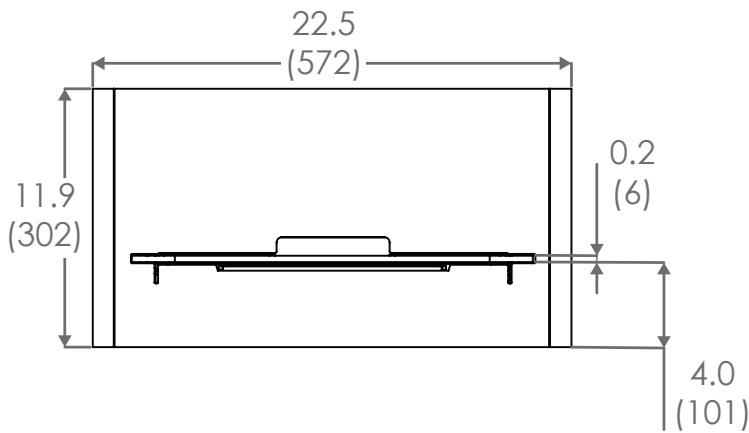
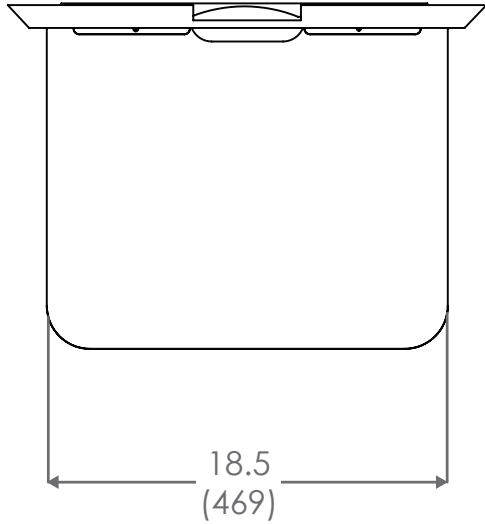
- Low 1.2" (30mm) profile complements ultrathin TVs
- Simple installation with one-piece frame and flip-down shelf
- Modular design makes pieces stackable
- One shelf for placing multiple components, like DVD players, cable boxes, video game consoles and more, near the TV
- Integrated cable management hides wires
- Can be mounted under a TV or as a stand-alone unit
- Satin Black finish is paintable to match any wall color
- Includes complete hardware kit

SPECIFICATIONS

- Tempered glass shelf support up to 35 lbs (15.9 kg) (double-stud) or 25 lbs (11.4 kg) (single-stud)
- Mounting: Single- or double-stud
- Dimensions: 22.5" w x 11.9" h x 16.1" d (572mm x 302mm x 409mm)
- Available in Satin Black with black glass
- Glass thickness: 6mm



Blade1



inches (mm)

	Packaging UPC	MC UPC
Americas	728901027284	728901720734
International	728901027284	728901720734

	Dimensions WxDxH inches (mm)	Wt lbs (kg)	Qty
Box	25.2 x 5.4 x 17.9 (640x138x455)	19.8 (9)	NA
MC	25.8 x 11.6 x 18.6 (655x295x473)	41.9 (19)	2

Box Contents	Qty
Wall frame	1
Glass support shelf	1
Glass shelf	1
Glass bracket	2

Box Contents	Qty
Cover	1
Complete hardware kit	1
Instruction manual	1