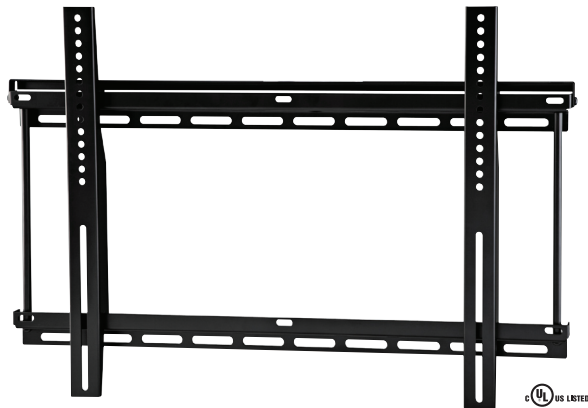


OC175F product information sheet



The OC175F is ideal for entry-level consumers looking for an easy-to-use large fixed mount.

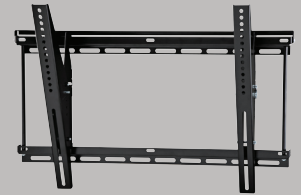
Product Benefits

- Low 1.7" (44mm) mounting profile
- Universal rails for greater VESA compatibility
- Lift n' Lock™ allows you to easily attach your TV to the mount
- Sliding lateral on-wall adjustment
- Open architecture provides easy access to in-wall wiring
- Safety screw secures TV to mount
- Simple to install and use
- Includes complete hardware kit

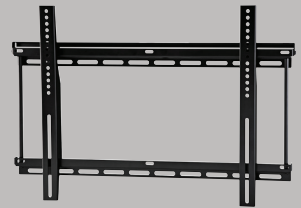
Product Specifications

Fits most: 37–80" TVs
Supports up to: 175 lbs (79.4 kg)
Mounting profile: 1.7" (44mm)
Universal & VESA compliant: 100x100 to 600x400
Mounting: Double-stud or solid wall
UL listed: Yes
Warranty: 5 years
Color: Black

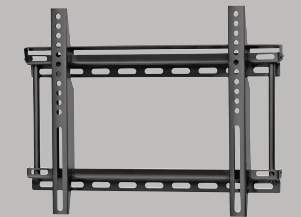
Series



OC175T



OC175F



OC80F



OC40F



Keeping ease of installation in mind, the OC175F was designed to be installed in a few simple steps

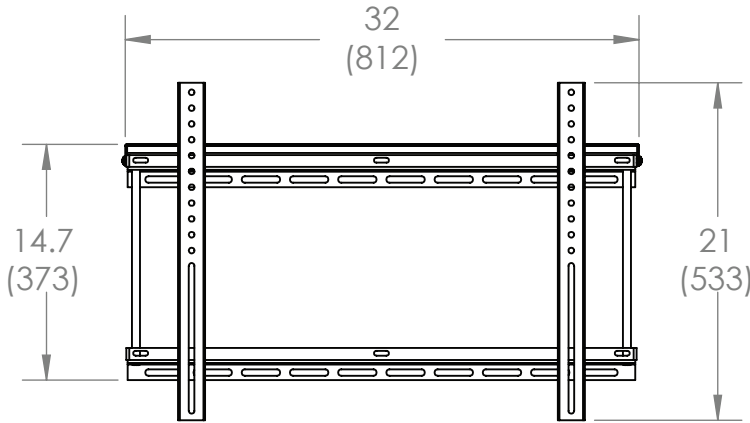
*Also available in small and large
**Available in medium and large, fixed and tilt

800.MOUNT.IT (800.668.6848)

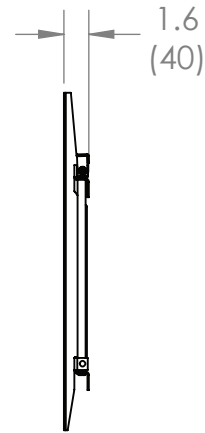


10122012

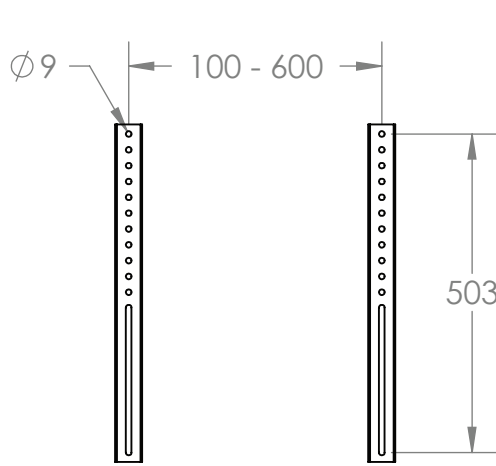
OC175F technical data sheet



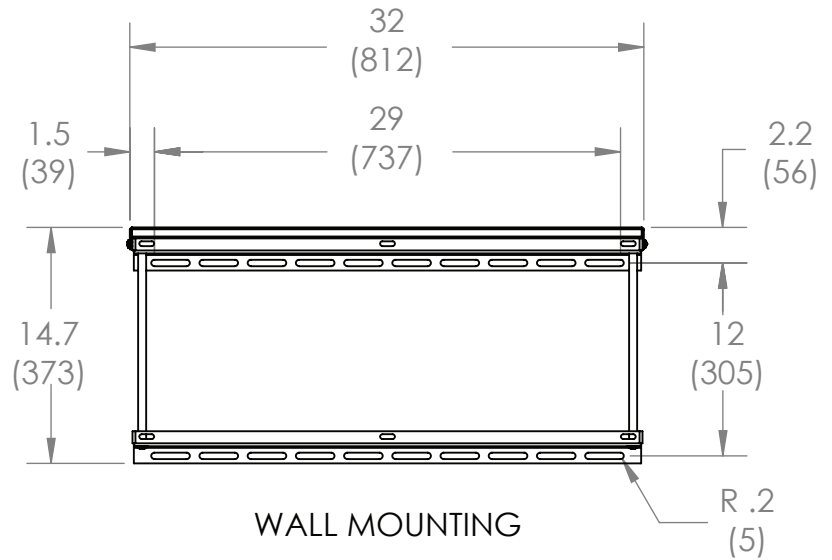
FRONT VIEW



MOUNTING PROFILE



PANEL ATTACHMENT - VESA COMPATABILITY (mm)



WALL MOUNTING

inches (mm)



	Packaging UPC	MC UPC
Americas	698833038224	10698833038221
INT	NA	NA

	Dimensions WxDxH inches (mm)	Wt lbs (kg)	Qty
Box	34.2 x 15.8 x 2.5 (869x401x64)	10.8 (4.9)	NA
MC	34.6 x 16.3 x 6.2 (878x415x158)	24 (10.9)	2

Box Contents	Qty
Wall plate	1
Vertical rail	2
Locking bar	1
Complete mount installation hardware kit	1

Box Contents	Qty
Complete TV attachment hardware kit	1
Instruction manual	1
TV compatibility chart	1

