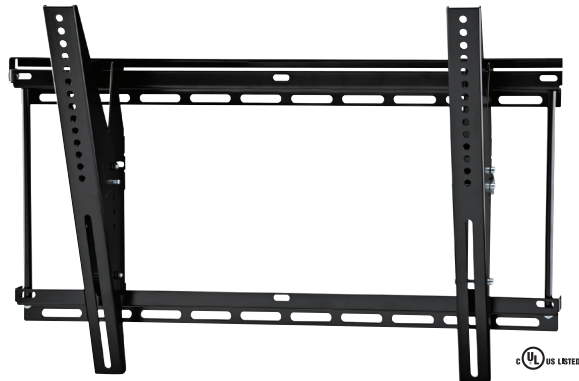


OC175T product information sheet



The OC175T is ideal for entry-level consumers looking for an easy-to-use large tilt mount.

Product Benefits

- Tilt up to +15° to reduce glare
- Universal rails for greater VESA compatibility
- Lift n' Lock™ allows you to easily attach your TV to the mount
- Tension adjustment for variable tilt
- Sliding lateral on-wall adjustment
- Open architecture provides easy access to in-wall wiring
- Locking bar secures TV to mount
- Simple to install and use
- Includes complete hardware kit

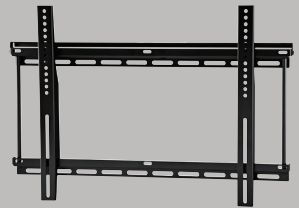
Product Specifications

Fits most: 37–80" TVs
Supports up to: 175 lbs (79.4 kg)
Tilt: Up to +15°
Mounting profile: 2.7" (69mm)
Universal & VESA compliant: 100x100 to 600x400
Mounting: Double-stud or Solid Wall
UL listed: Yes
Warranty: 5 years
Color: Black

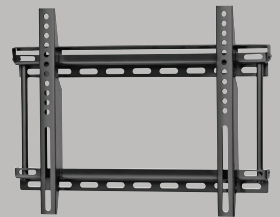
Series



OC175T



OC175F



OC80F



OC40F



Keeping ease of installation in mind, the OC175T was designed to be installed in a few simple steps

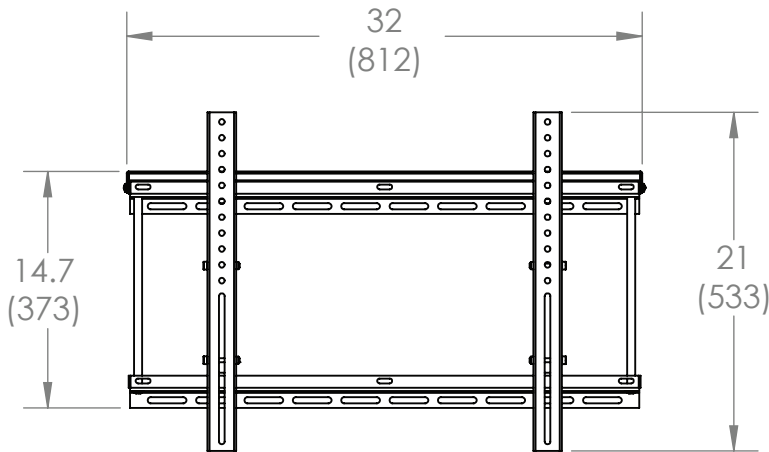
*Also available in small and large
**Available in medium and large, fixed and tilt

800.MOUNT.IT (800.668.6848)

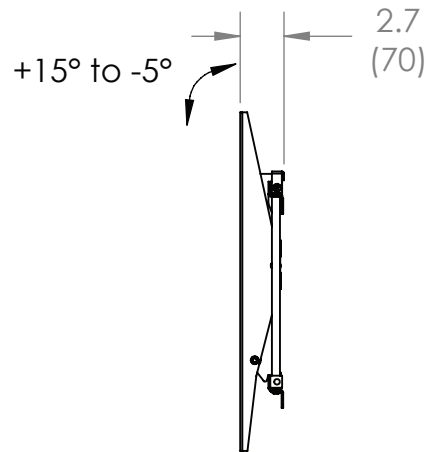


10122012

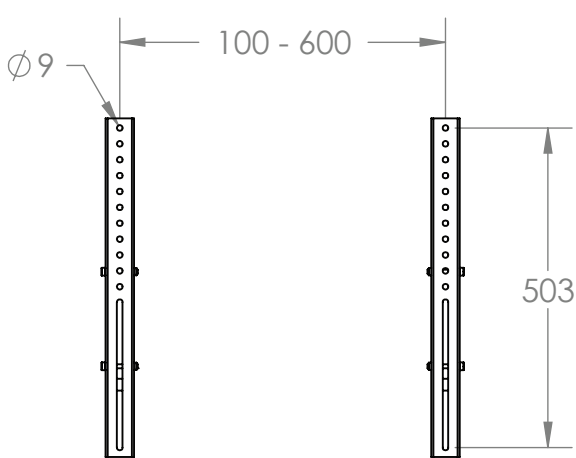
OC175T technical data sheet



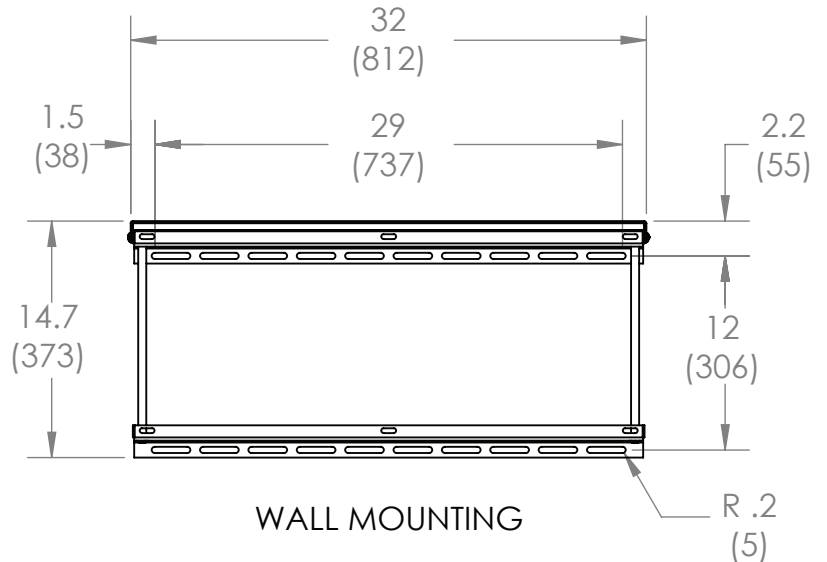
FRONT VIEW



MOUNTING PROFILE



PANEL ATTACHMENT -
VESA COMPATABILITY (mm)



WALL MOUNTING

inches (mm)



	Packaging UPC	MC UPC
Americas	698833038231	10698833038238
International	NA	NA

	Dimensions WxDxH inches (mm)	Wt lbs (kg)	Qty
Box	34.2 x 15.8 x 2.5 (869x402x64)	14.1 (6.4)	NA
MC	34.6 x 16.3 x 6.2 (878x415x158)	30 (13.6)	2

Box Contents	Qty
Wall plate	1
Tilt rail	2
Locking bar	1
Complete mount installation hardware kit	1

Box Contents	Qty
Complete TV attachment hardware kit	1
Instruction manual	1
TV compatibility chart	1

