

# ULPC-M product information sheet



The Ultra Low Profile Series of fixed, tilt and full motion mounts offers a sleek and slim design without compromising functionality. With an impressively low 2.4" (60mm) mounting profile, the ULPC-M is a medium full motion mount perfectly suited for those applications where seamless integration counts most.

## Product Benefits

- Arms completely nest for a discreet 2.3" (58mm) mounting profile
- Tilt, pan and swivel for maximum viewing flexibility
- Steel tube construction for maximum strength and durability
- Rack and pinion tilt mechanism for effortless adjustment
- Integrated cable management with quick-snap covers guide wires
- Built-in screen leveling
- Lift n' Lock™ allows you to easily attach your TV to the mount
- Sliding on-wall adjustment (2" lateral; 1.4" vertical)
- Safety screw secures TV to mount
- Wall plate covers conceal mounting hardware
- Installation template for simple and accurate mounting
- Interchangeable cable covers for a customized look (available as an accessory)
- Includes complete hardware kit

## Product Specifications

- Fits most:** 23–42" TVs
- Supports up to:** 100 lbs (45.4 kg)
- Tilt:** +15° to -5°
- Mounting profile:** 2.3" (58mm)\*
- Maximum extension:** 21.6" (548mm)\*
- VESA compliant:** 100x100 to 400x400
- Mounting:** Single-stud
- UL Listed:** Yes
- Warranty:** 5 years
- Color:** Black

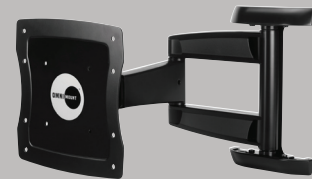
\*Adapter adds 0.3" (7mm)



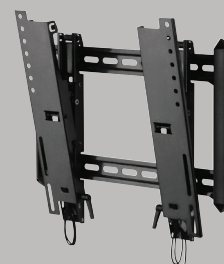
With OmniMount's low profile full motion mounts, you get everything you want in one mount – the functionality and versatility of a full motion mount in a compact and discreet design.

[800.MOUNT.IT](http://800.MOUNT.IT) (800.668.6848)

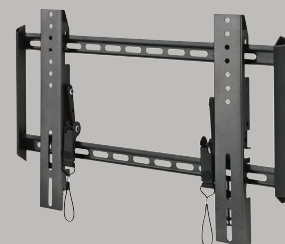
## Series



Full Motion Mounts



Tilt Mounts

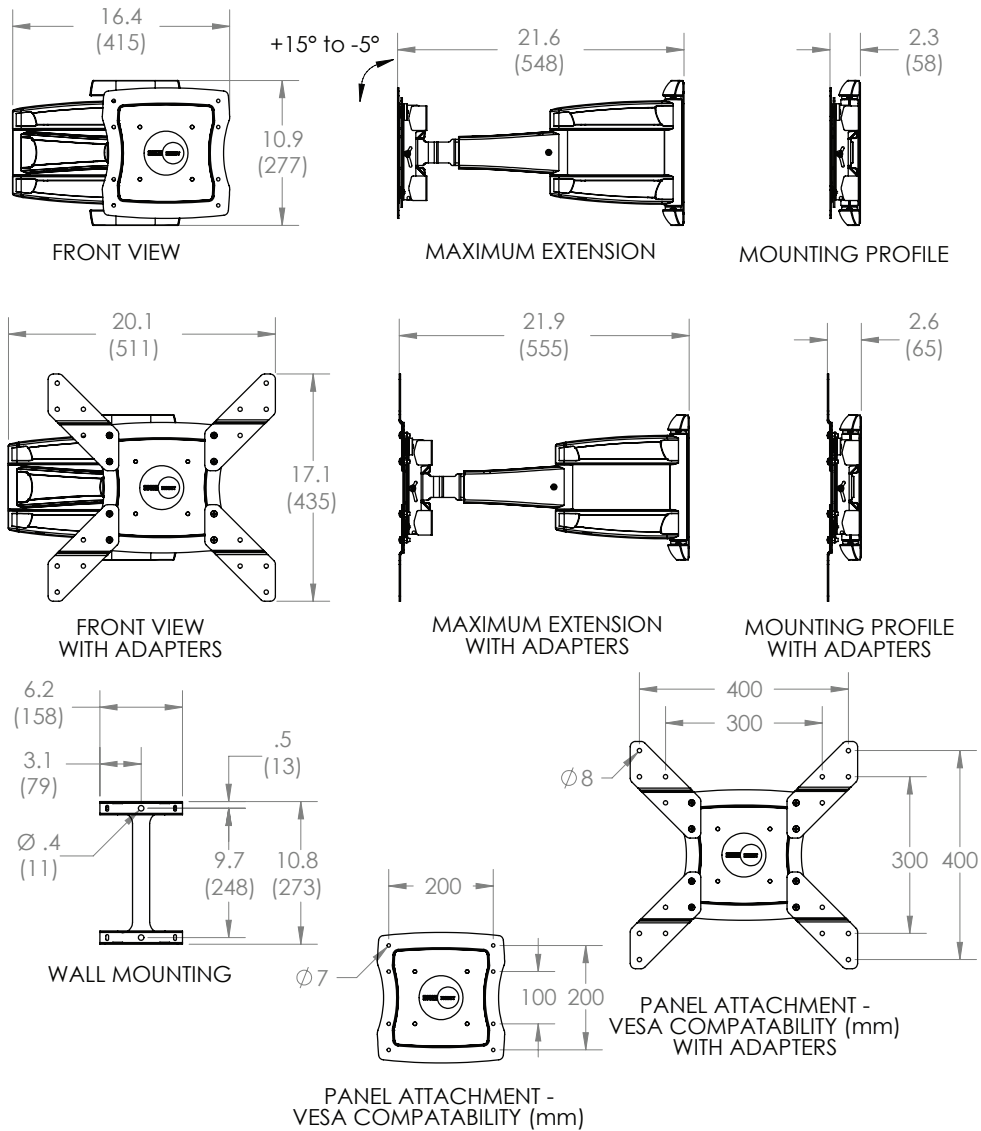


Fixed Mounts



01072013

# ULPC-M technical data sheet



PANEL ATTACHMENT - VESA COMPATABILITY (mm)

inches (mm)



	Packaging UPC	MC UPC
Americas	728901023743	728901717192
International	728901023743	728901717192

	Dimensions WxDxH Inches (mm)	Wt lbs (kg)	Qty
Box	16.5 x 22.4 x 6.3 (420x570x160)	18.1 (8.2)	NA
MC	17.3 x 23.2 x 11.4 (440x590x290)	37.8 (17.1)	2

Box Contents	Qty
Monitor plate	1
Cantilever arm	1
Wall rail	2
Wall rail cover	2
Wing adapter	4

Box Contents	Qty
Cable cover	3
Complete mount installation hardware kit	1
Complete panel attachment hardware kit	1
Installation template	1
Instruction manual	1