

AB1 technical data sheet



OmniMount, an innovator of A/V mounts and furniture for more than a quarter century, is the choice of professional installers and the brand most recommended by flat panel manufacturers. The AudioBasics Series speaker mounts provide flexible and reliable mounting options for small surround sound systems – all in a low-cost solution. The AB1 provides convenience and versatility for mounting micro satellite speakers up to 2.5 lbs (1.1 kg).

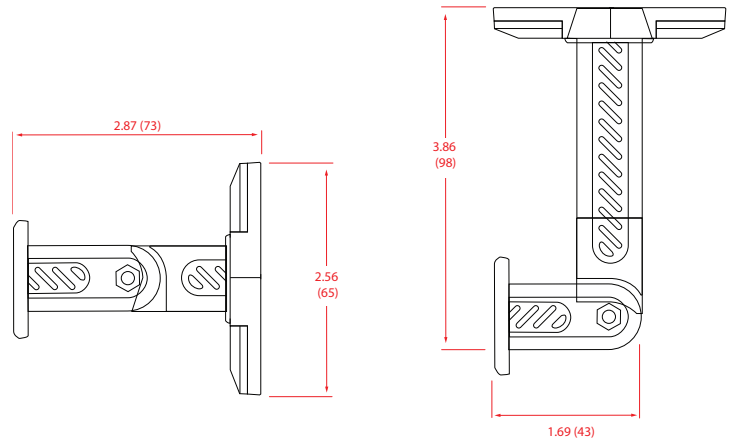


Product Specifications

Fits most: Micro satellite speakers
Supports up to: up to 2.5 lbs (1.1 kg)
Base rotation: 360°
Pan: 180°
Tilt: +/- 30°
Color: Black, White and Grey

Product Benefits

- Mount on wall or ceiling
- Injection molded, glass reinforced nylon
- Includes T-bar clip for drop ceilings
- Suitable for all weather conditions
- Includes two extensions that create three different lengths
- Includes complete hardware kit



	Color	Stock Code	Packaging UPC	MC UPC
Americas	Black	1001513-1	728901007101	728901700606
International	Black	1001893-1	728901012914	728901705991
Americas	Grey	1001514-1	728901010682	728901703775
International	Grey	1001895-1	728901013225	728901706301
Americas	White	1001683-1	728901007118	728901700613
International	White	1001894-1	728901012921	728901706004

	Dimensions WxDxH inches (mm)	Wt lbs (kg)
Product Box	6.4 x 10.3 x 1.3 (162x261x32)	.9 (.4)
Master Carton	8.3 x 11.5 x 7.8 (211x292x198)	3 (1.4)

Box Contents	Qty
Mounting plate	1
Screw cover	2
Extension	2
Adjusting knuckle	1

Box Contents	Qty
Speaker plate	1
Complete installation hardware kit	1
Instruction manual	1