

# CMK product information sheet

## Product Specifications

### Includes:

- (3) 16" x 4.3" covers
- (1) 90° elbow
- (2) end caps

**Mounting:** Screws or adhesive

**Color:** White

## Product Benefits

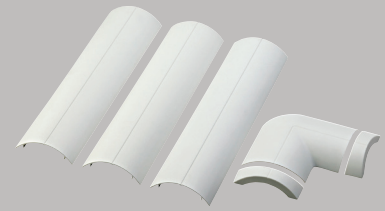
- Modular design allows for any configuration
- Covers can be cut to desired length
- Paint to match any wall
- Mount using screws or double sided adhesive (both included)
- Route wires vertically or horizontally with 90° elbow
- Includes installation template



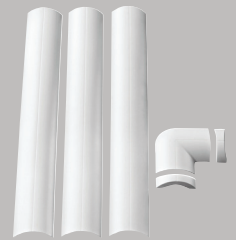
What's the benefit of cable management? It's a simple and affordable alternative to running cables through the wall.



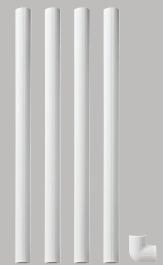
## Series



CMK



CMK MINI



CMK MICRO

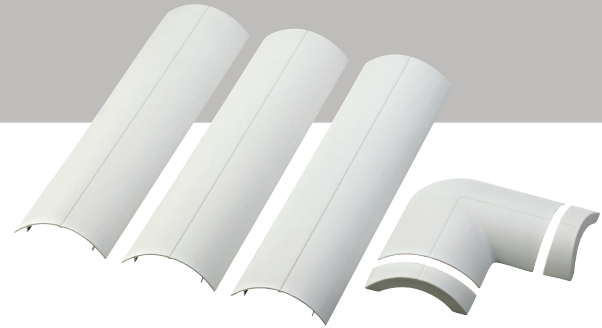


OmniMount, an innovator of A/V mounts and furniture for more than a quarter century, is the choice of professional installers and the brand most recommended by flat panel manufacturers. The Cable Management Series is the ideal companion to any flat panel install where wires aren't run through the wall. Simply guide wires through the channel and snap on the covers – it's just that easy. With a width of 4.3," CMK can be used for hiding many cables.





OmniMount, an innovator of A/V mounts and furniture for more than a quarter century, is the choice of professional installers and the brand most recommended by flat panel manufacturers. The Cable Management Series is the ideal companion to any flat panel install where wires aren't run through the wall. Simply guide wires through the channel and snap on the covers – it's just that easy. With a width of 4.3," CMK can be used for hiding many cables.



## Product Specifications

### Includes:

- (3) 16" x 4.3" covers
- (1) 90° elbow
- (2) end caps

**Mounting:** Screws or adhesive

**Color:** White

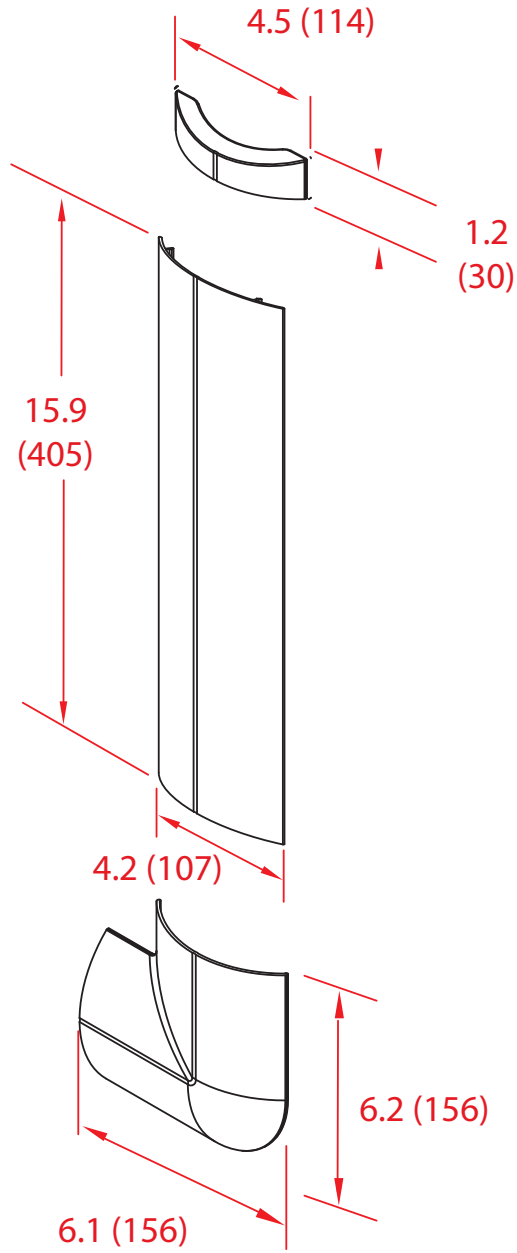
## Product Benefits

- Modular design allows for any configuration
- Covers can be cut to desired length
- Paint to match any wall
- Mount using screws or double sided adhesive (both included)
- Route wires vertically or horizontally with 90° elbow
- Includes installation template

	Stock Code	Packaging UPC	MC UPC
<b>Americas</b>	1003422-1	728901019319	728901712715
<b>International</b>	1003422EU-1	728901019791	728901713217

	Dimensions WxDxH inches (mm)	Wt lbs (kg)
<b>Product Box</b>	16.5 x 7.1 x 3.2 (418x180x80)	2.4 (1.1)
<b>Master Carton</b>	18.5 x 13.3 x 7.9 (470x337x200)	11.5 (5.2)

Box Contents	Qty
Cable cover	3
90° elbow	1
Double sided adhesive	8
Clip	8
End cap	2
Installation template	1
Complete hardware kit	1
Instruction manual	1



inches (mm)