

ULPT-M product information sheet

Product Specifications

Fits most: 23" - 42" flat panels

Supports up to: 125 lbs (56.7 kg)

Tilt: Up to +15°

Mounting profile: 1.46" (37mm)

Universal & VESA compliant: 100x200 to 400x400

Mounting: Double-stud

UL listed: Yes

Warranty: 5 years

Color: Black

Product Benefits

- Low 1.46" (37mm) mounting profile
- Tilt up to +15° to reduce glare
- Innovative built-in kickstand makes wiring your flat panel convenient
- Universal rails for greater panel compatibility
- Lift n' Lock™ allows you to easily attach your flat panel to the mount
- Tension adjustment for variable tilt
- Sliding lateral on-wall adjustment
- Open architecture provides easy access to in-wall wiring
- Locking system secures panel to mount
- Wall plate covers conceal mounting hardware
- Extruded aluminum end caps present a clean side view
- Installation template for simple and accurate mounting
- Includes complete hardware kit



The ULPT-M is designed with an innovative built-in kickstand which allows one person to wire the flat panel with no vertical lifting

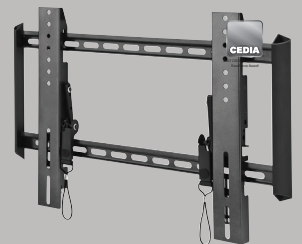
Series



FULL MOTION MOUNTS



TILT MOUNTS



FIXED MOUNTS



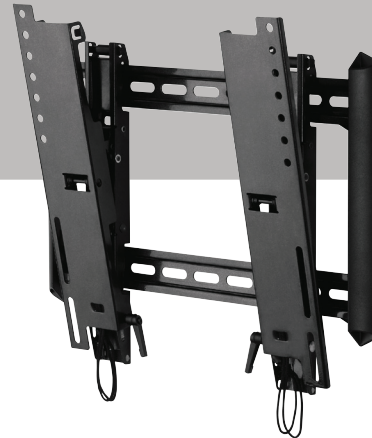
OmniMount, an innovator of A/V mounts and furniture for more than a quarter century, is the choice of professional installers and the brand most recommended by flat panel manufacturers. The Ultra Low Profile Series of fixed, tilt and full motion mounts offers a sleek and slim design without compromising functionality. With an impressively low 1.5" (37mm) mounting profile, the ULPT-M is a medium tilt mount perfectly-suited for those applications where seamless integration counts most.



ULPT-M technical data sheet



OmniMount, an innovator of A/V mounts and furniture for more than a quarter century, is the choice of professional installers and the brand most recommended by flat panel manufacturers. The Ultra Low Profile Series of fixed, tilt and full motion mounts offers a sleek and slim design without compromising functionality. With an impressively low 1.5" (37mm) mounting profile, the ULPT-M is a medium tilt mount perfectly-suited for those applications where seamless integration counts most.



Product Specifications

Fits most: 23" - 42" flat panels

Supports up to: 125 lbs (56.7 kg)

Tilt: Up to +15°

Mounting profile: 1.46" (37mm)

Universal & VESA compliant: 100x200 to 400x400

Mounting: Double-stud

UL listed: Yes

Warranty: 5 years

Color: Black

Product Benefits

- Low 1.46" (37mm) mounting profile
- Tilt up to +15° to reduce glare
- Innovative built-in kickstand makes wiring your flat panel convenient
- Universal rails for greater panel compatibility
- Lift n' Lock™ allows you to easily attach your flat panel to the mount
- Tension adjustment for variable tilt
- Sliding lateral on-wall adjustment
- Open architecture provides easy access to in-wall wiring
- Locking system secures panel to mount
- Wall plate covers conceal mounting hardware
- Extruded aluminum end caps present a clean side view
- Installation template for simple and accurate mounting
- Includes complete hardware kit

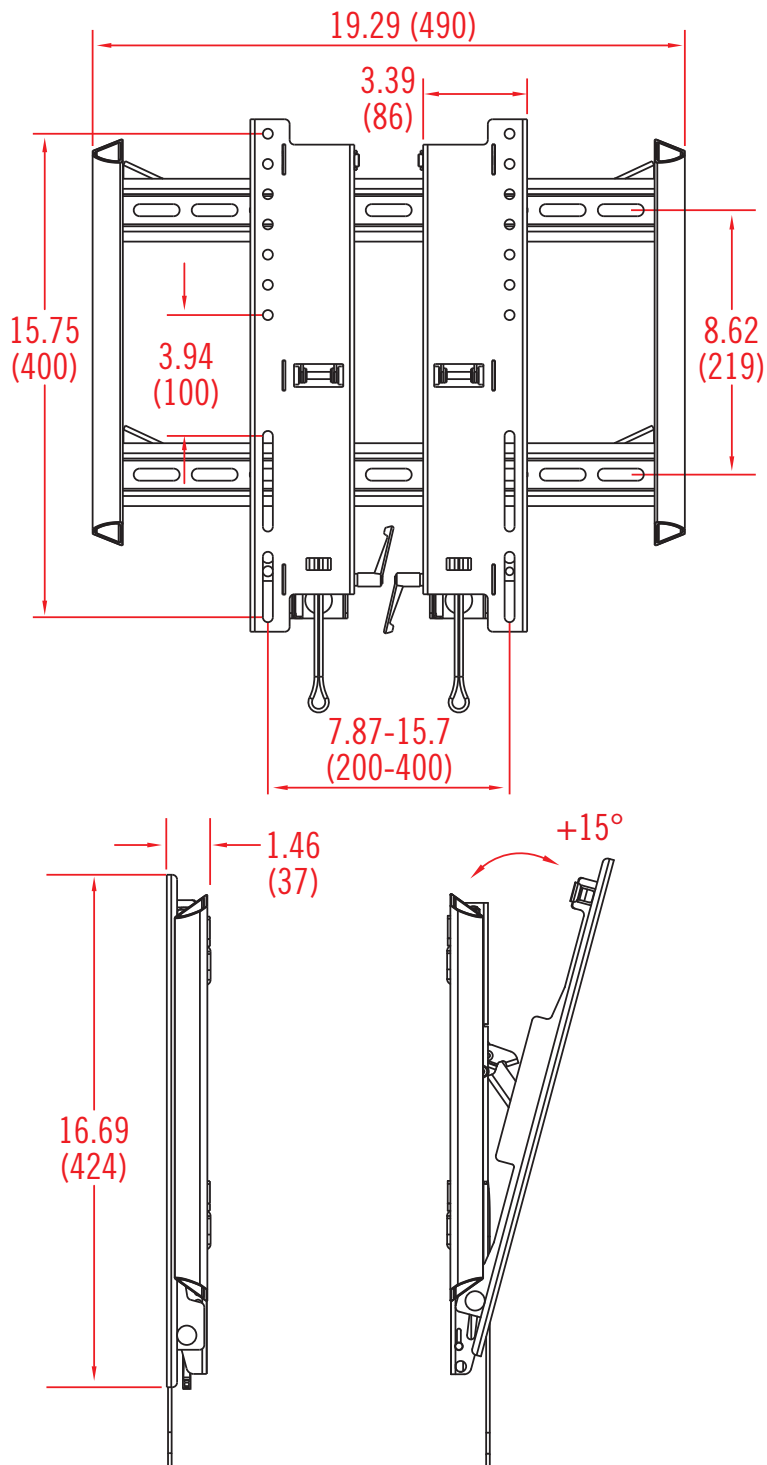
	Stock Code	Packaging UPC	MC UPC
Americas	1003465-1	728901019517	728901712913
International	1003465EU-1	728901019593	728901712999

	Dimensions WxDxH Inches (mm)	Wt lbs (kg)
Product Box	13.4 x 26.4 x 3.4 (340x670x87)	18.3 (8.3)
Master Carton	14 x 27 x 7.5 (356x686x191)	37 (16.8)

Box Contents	Qty
Wall plate	1
Vertical tilt rail with kickstand	2
Security clip	2
Bottom rail cover	1
Top rail cover	1

Box Contents	Qty
Complete mount installation hardware kit	1
Complete panel attachment hardware kit	1
Installation template	1
Instruction manual	1

ULPT-M line drawing



inches (mm)