

VA324 product information sheet

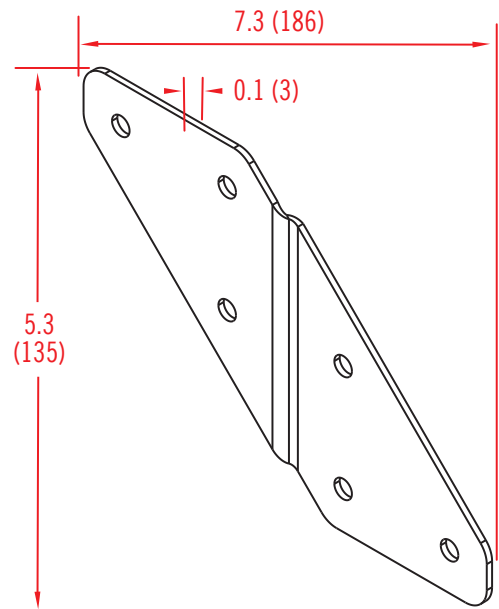
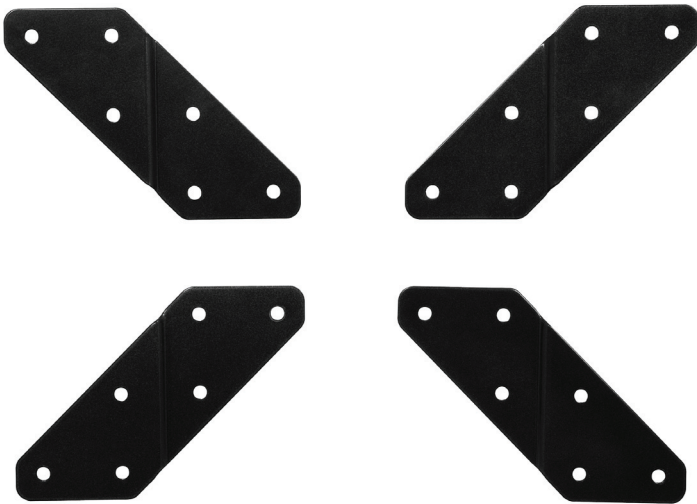


Product Description

The VA324 is a set of four flat panel mount wing adapters that expand VESA compliance to up to 400x400.

Product Specifications/ Benefits

- VESA compliant: up to 400x400
- Attach to 200x200 mount head
- Weight capacity contingent on mount
- Includes complete hardware kit
- Available in black



inches (mm)

	Stock Code	Packaging UPC	MC UPC
Americas	1004316ADFE-1	728901023569	728901717017
International	NA	NA	NA

	Dimensions WxDxH inches (mm)	Wt lbs (kg)
Product Box	1.3 x 9.5 x 3.4 (32x240x85)	2.7 (1.2)
Master Carton	3.5 x 9.9 x 5.7 (89x251x145)	11 (5)

Box Contents	Qty
16mm Low Head Socket Screw	8
Allen Key	1
Washer	8
Nylon Locking Nut	8
Washer	4
30mm Low Head Socket Screw	8