

# WM1-S product information sheet

## Product Specifications

**Fits most:** 13" - 32" flat panels

**Supports up to:** 18.1 kg

**Mounting profile:** 13mm

**VESA compliant:** 75x75 to 100x200

**Mounting:** Single-stud

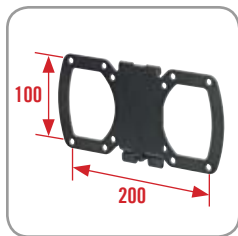
**UL Listed:** Yes

**Warranty:** 5 years

**Color:** Black

## Product Benefits

- New VESA plate design increases panel compatibility
- Low 13mm mounting profile
- Lift n' Lock™ allows you to easily attach your flat panel to the mount
- Locking system secures panel to mount
- Simple to install and use
- Includes complete hardware kit



The WM1-S is designed with a 100x200 VESA plate for greater panel compatibility



UL LISTED

## Series



WM1-S

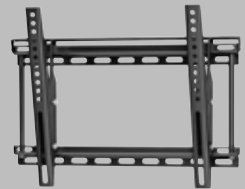


WM3-S



2006 Custom Retailer EXCITE Award

WM4-M\*



WM2-M\*\*



2006 Custom Retailer SVI Award

WM3-PJT

\*Also available in small and large

\*\*Available in medium and large, fixed and tilt

OmniMount, an innovator of A/V mounts and furniture for more than a quarter century, is the choice of professional installers and the brand most recommended by flat panel manufacturers. Recognizing the need for an affordable line of mounts, OmniMount offers the WorldMount™ brand of flat panel mounts with maneuverability, adaptability and a stylish look – all at a low cost. The WM1-S is ideal for entry-level consumers looking for an easy-to-use small fixed mount.



# WM1-S technical data sheet



OmniMount, an innovator of A/V mounts and furniture for more than a quarter century, is the choice of professional installers and the brand most recommended by flat panel manufacturers. Recognizing the need for an affordable line of mounts, OmniMount offers the WorldMount™ brand of flat panel mounts with maneuverability, adaptability and a stylish look – all at a low cost. The WM1-S is ideal for entry-level consumers looking for an easy-to-use small fixed mount.



## Product Specifications

**Fits most:** 13" - 32" flat panels

**Supports up to:** 18.1 kg

**Mounting profile:** 13mm

**VESA compliant:** 75x75 to 100x200

**Mounting:** Single-stud

**UL Listed:** Yes

**Warranty:** 5 years

**Color:** Black

## Product Benefits

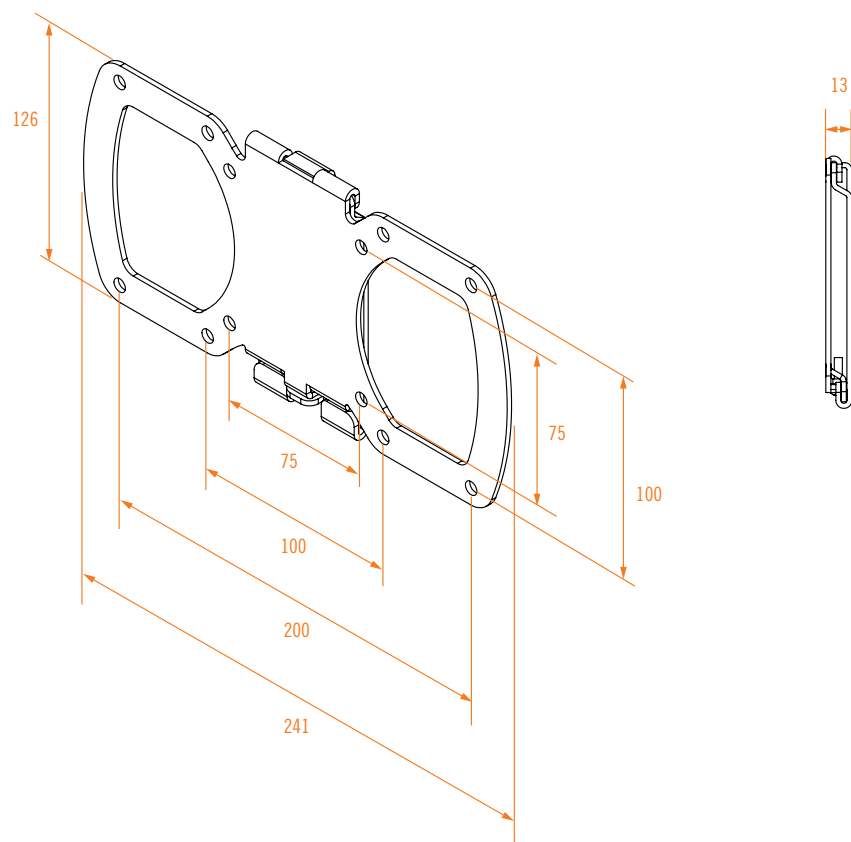
- New VESA plate design increases panel compatibility
- Low 13mm mounting profile
- Lift n' Lock™ allows you to easily attach your flat panel to the mount
- Locking system secures panel to mount
- Simple to install and use
- Includes complete hardware kit

	Stock Code	Packaging UPC	MC UPC
Americas	NA	NA	NA
International	1004203INT-1	728901019050	728901712449

	Dimensions WxDxH (mm)	Wt (kg)
Product Box	279 x 152 x 32	.7
Master Carton	286 x 127 x 165	2.9

Box Contents	Qty
Wall plate	1
VESA adapter	1
Complete mount installation hardware kit	1
Complete panel attachment hardware kit	1
Instruction manual	1
Flat panel compatibility chart	1

# WM1-S line drawing



mm