

# 4N1-S product information sheet

## Product Specifications

**Fits most:** 13" to 24" flat panels

**Supports up to:** 40 lbs (18.1 kg)

**Tilt:** -5° to +15°

**Mounting profile:** 2.2" (56mm)

**VESA compliant:** 75x75, 100x100

**Mounting:** Single-stud

**Color:** Platinum

## Product Benefits

- 4-in-1 functionality: fixed, tilt, pan and swivel for maximum viewing angles
- Lift n' Lock™ for easy installation
- Hidden compartment for allen wrench
- Locking system for added safety
- Easy to install and use
- Includes complete Grade 5 hardware kit



With its innovative injection molded body, the 4N1-S has not only a striking design, but also a lightweight one.



## Series



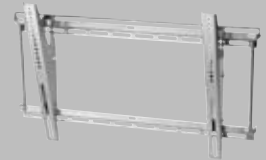
1N1-S



3N1-S



4N1-M\*



2N1-L\*\*



3N1-PJT

\*Also available in small and large

\*\*Available in medium and large, fixed and tilt



OmniMount, an innovator of A/V mounts and furniture for more than a quarter century, is the choice of professional installers and the brand most recommended by flat panel manufacturers. The WorldMount Series offers maneuverability, adaptability and a stylish look – all at an affordable price. The 4N1-S is the ideal mount for entry-level consumers looking for an easy-to-use small mount with tilt, pan and swivel capabilities.



# 4N1-S technical data sheet



OmniMount, an innovator of A/V mounts and furniture for more than a quarter century, is the choice of professional installers and the brand most recommended by flat panel manufacturers. The WorldMount Series offers maneuverability, adaptability and a stylish look – all at an affordable price. The 4N1-S is the ideal mount for entry-level consumers looking for an easy-to-use small mount with tilt, pan and swivel capabilities.



## Product Specifications

**Fits most:** 13" to 24" flat panels

**Supports up to:** 40 lbs (18.1 kg)

**Tilt:** -5° to +15°

**Mounting profile:** 2.2" (56mm)

**VESA compliant:** 75x75, 100x100

**Mounting:** Single-stud

**Color:** Platinum

## Product Benefits

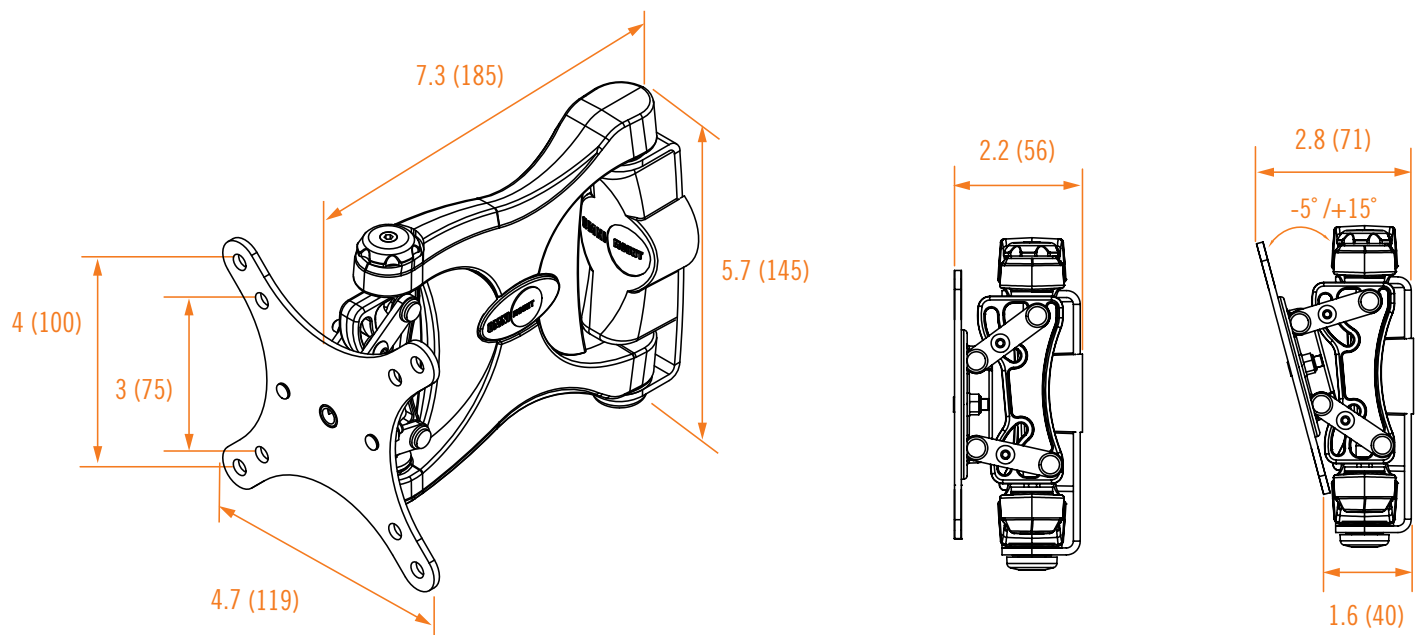
- 4-in-1 functionality: fixed, tilt, pan and swivel for maximum viewing angles
- Lift n' Lock™ for easy installation
- Hidden compartment for allen wrench
- Locking system for added safety
- Easy to install and use
- Includes complete Grade 5 hardware kit

	Stock Code	Packaging UPC	MC UPC
Americas	1002778-1	728901016745	728901710032
International	NA	NA	NA

	Dimensions WxDxH inches (mm)	Wt lbs (kg)
Product Box	8.9 x 6.5 x 2.2 (225x166x56)	1.9 (.9)
Master Carton	13.9 x 9.3 x 5.2 (352x235x133)	8.8 (4)

Box Contents	Qty
Mounting plate	1
Wall plate	1
Wall plate cover	1
Arm	1
Complete mount installation hardware kit	1
Complete panel attachment hardware kit	1
Instruction manual	1
Flat panel compatibility chart	1

# 4N1-S line drawing



inches (mm)