

NC30C product information sheet

Product Specifications

Fits most: 13" - 32" flat panels

Supports up to: 30 lbs (13.6 kg)

Tilt: -5° to +15°

Mounting profile: 2.01" (51mm)*

Maximum extension: 13.9" (352mm)

VESA compliant: 75x75 to 100x200

Mounting: Single-stud

UL Listed: Yes

Warranty: 5 years

Color: Black

*adapter adds 0.31" (8mm)



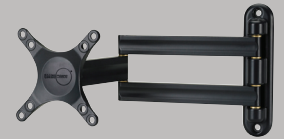
Product Benefits

- Tilt, pan and swivel for maximum viewing flexibility
- Streamlined arms nest for a compact 2.0" (51mm) mounting profile
- Extruded aluminum arms for maximum support in a lightweight mount
- Includes adapter for greater VESA compatibility
- Fully assembled for quick two-step installation
- Includes complete hardware kit



The NC30C has streamlined arms that nest for a compact mounting profile.

Series



NC30C



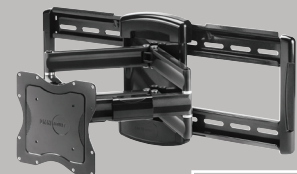
NC80C



NC100C



NC125C



NC200C

OmniMount, an innovator of A/V mounts and furniture for more than a quarter century, is the choice of professional installers and the brand most recommended by flat panel manufacturers. The New Classics Series of full motion mounts puts a fresh spin on an old favorite, providing improved functionality – not to mention a new clean design. The NC30C is a sensible full motion mounting solution for small flat panels.



NC30C technical data sheet



OmniMount, an innovator of A/V mounts and furniture for more than a quarter century, is the choice of professional installers and the brand most recommended by flat panel manufacturers. The New Classics Series of full motion mounts puts a fresh spin on an old favorite, providing improved functionality – not to mention a new clean design. The NC30C is a sensible full motion mounting solution for small flat panels.



cUL US LISTED

Product Specifications

Fits most: 13" - 32" flat panels

Supports up to: 30 lbs (13.6 kg)

Tilt: -5° to +15°

Mounting profile: 2.01" (51mm)*

Maximum extension: 13.9" (352mm)

VESA compliant: 75x75 to 100x200

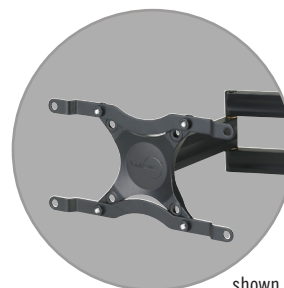
Mounting: Single-stud

UL Listed: Yes

Warranty: 5 years

Color: Black

*adapter adds 0.31" (8mm)



shown with adapter

Product Benefits

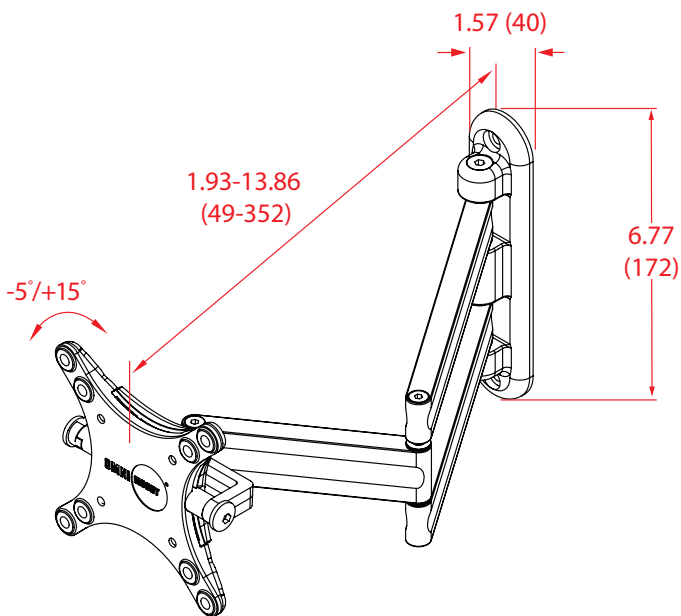
- Tilt, pan and swivel for maximum viewing flexibility
- Streamlined arms nest for a compact 1.9" (49mm) mounting profile
- Extruded aluminum arms for maximum support in a lightweight mount
- Includes adapter for greater VESA compatibility
- Fully assembled for quick two-step installation
- Includes complete hardware kit

	Stock Code	Packaging UPC	MC UPC
Americas	1004381-1	728901023118	728901716560
International	1004381INT-1	728901023118	728901716560

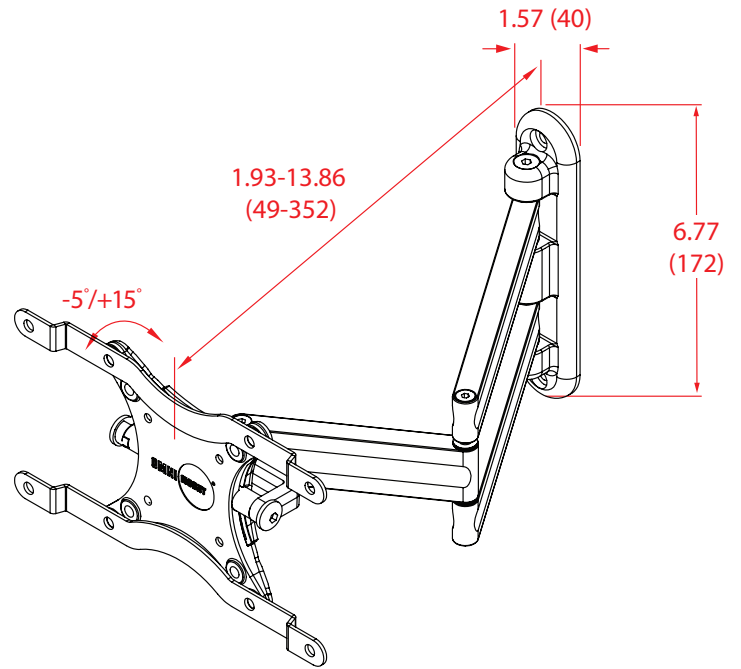
Box Contents	Qty
Full motion mount	1
Strip adapter	2
Complete mount installation hardware kit	1

	Dimensions WxDxH Inches (mm)	Wt lbs (kg)
Product Box	9.3 x 7.5 x 2.1 (235x190x54)	2.7 (1.3)
Master Carton	9.5 X 9.5 X 8.2 (242X242X209)	12.6 (5.7)

Box Contents	Qty
Complete panel attachment hardware kit	1
Instruction manual	1



Without Adapter



With Adapter

